

KAMPANJ - KÖP 10 BETALA FÖR 7

ThermoGrip® Shrink chucks
with bionic structural optimisation

bilz



HORN Sverige & Danmark
Powered by JR TOOL



” Form optimisation
leads to an increase
in the life and load
capacity of the holder
through a uniform
structure throughout.“

SpecialOffer

more shrink-fit holders for the money*

Get 10 – pay for 7

Choose from our wide

range of 10 promotional items

ThermoGrip® BIONICS**, available

for the machine interface

HSK-A63, HSK-A100, FBT40 and pay

only 7 per 10 selected articles!

The 3 cheapest articles will be
free of charge as part of this promotion.

BLAND FLEXIBLET MELLAN ALLA SORTER

Offer Code:
Shrinck Chucks 10 to 7**

* kampanjen giltig till och med:
30.10.2023

Säljpaket: Köp 10st och betala för 7
Välj 10 ThermoGrip® BIONICS
shrink liners** men betala bara för 7.

Fullständig flexibilitet:

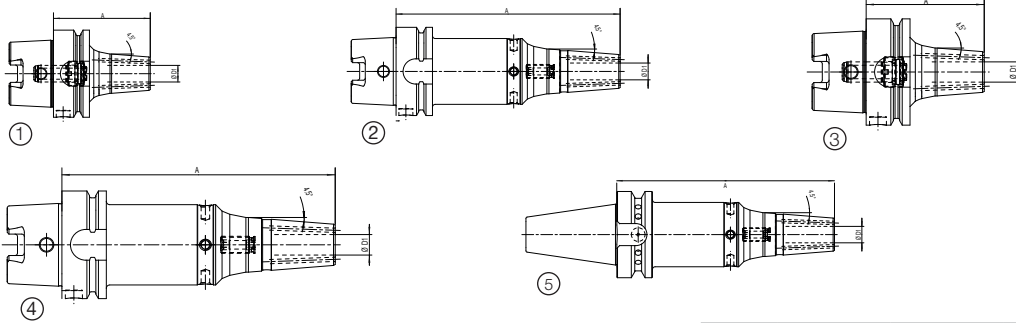
Sätt ihop ditt eget paket enligt dina
individuella behov och antal.

Vid köp av 10 ThermoGrip® BIONICS
krymhållare så bjuder vi på de tre
billigaste.

Further development, changes in the sense of technical progress are reserved. Any printing errors or interim changes of any kind do not entitle to claims.

TB.....-C1-FBT40

Shrink chucks with bionic structural optimisation



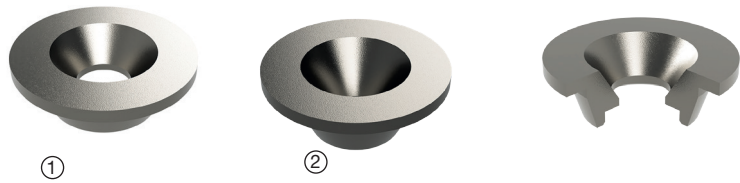
HORN Sverige & Danmark
Powered by JR TOOL

| TB.....-C1-HSKA63 Shrink Chucks | | | | | |
|------------------------------------|----------------------|---------------|---------------|-----|---------|
| D1 (mm) | A (mm) Ultra kurz | A (mm) 130 | A (mm) 160 | Img | Pris |
| 6 | 5177819 | | | 1 | 3649kr |
| 8 | 5177821 | | | 1 | 3646kr |
| 10 | 5177822 | | | 1 | 3652kr |
| 12 | 5177827 | | | 1 | 3651kr |
| 16 | 5177834 | | | 1 | 3658kr |
| 20 | 5177840 | | | 1 | 3663kr |
| 6 | | 5177818 | | 2 | 5869kr |
| 8 | | 5177820 | | 2 | 5869kr |
| 10 | | 5177823 | | 2 | 5883kr |
| 12 | | 5177829 | | 2 | 5881kr |
| 14 | | 5177832 | | 2 | 5893kr |
| 16 | | 5177835 | | 2 | 5890kr |
| 18 | | 5177838 | | 2 | 5924kr |
| 20 | | 5177841 | | 2 | 5920kr |
| 6 | | | 5177817 | 2 | 6206kr |
| 8 | | | 5177816 | 2 | 6205kr |
| 10 | | | 5177826 | 2 | 6227kr |
| 12 | | | 5177830 | 2 | 6225kr |
| 14 | | | 5177833 | 2 | 6246kr |
| 16 | | | 5177836 | 2 | 6243kr |
| 18 | | | 5177839 | 2 | 6268kr |
| 20 | | | 5177842 | 2 | 62645kr |

| TB.....-C1-FBT40 Shrink Chucks | | | | | |
|-----------------------------------|----------------------|---------------|---------------|-----|--------|
| D1 (mm) | A (mm) Ultra kurz | A (mm) 130 | A (mm) 160 | Img | Pris |
| 6 | | 5180114 | | 5 | 5729kr |
| 8 | | 5180115 | | 5 | 5729kr |
| 10 | | 5180116 | | 5 | 5743kr |
| 12 | | 5180117 | | 5 | 5738kr |
| 14 | | 5180118 | | 5 | 5743kr |
| 16 | | 5180119 | | 5 | 5748kr |
| 18 | | 5180120 | | 5 | 5762kr |
| 20 | | 5180121 | | 5 | 5776kr |
| 6 | | | 5180122 | 5 | 5991kr |
| 8 | | | 5180123 | 5 | 5993kr |
| 10 | | | 5180124 | 5 | 6014kr |
| 12 | | | 5180125 | 5 | 6011kr |
| 14 | | | 5180126 | 5 | 6020kr |
| 16 | | | 5180127 | 5 | 6028kr |
| 18 | | | 5180128 | 5 | 6038kr |
| 20 | | | 5180129 | 5 | 6047kr |

Interchangeable discs for shrink fit chucks with very short A-dimensions (e.g. TBUC). The chuck dips easily into the ferrite disc here. At the same time it is ensured, that the coil does not rest on the collar of the HSK and thus the coil is not damaged when heated.

| TB.....-C1-HSKA100 Shrink Chucks | | | | |
|-------------------------------------|----------------|---------------|-----|--------|
| D1 (mm) | A (mm) Kurz | A (mm) 160 | Img | Pris |
| 6 | 5180065 | | 3 | 7169kr |
| 8 | 5180066 | | 3 | 7169kr |
| 10 | 5180067 | | 3 | 7175kr |
| 12 | 5180068 | | 3 | 7178kr |
| 14 | 5180069 | | 3 | 7190kr |
| 16 | 5180074 | | 3 | 7197kr |
| 18 | 5180075 | | 3 | 7209kr |
| 20 | 5180077 | | 3 | 7214kr |
| 25 | 5180078 | | 3 | 7756kr |
| 6 | | 5180079 | 4 | 8064kr |
| 8 | | 5180080 | 4 | 8056kr |
| 10 | | 5180081 | 4 | 8088kr |
| 12 | | 5180082 | 4 | 8083kr |
| 14 | | 5180083 | 4 | 8105kr |
| 16 | | 5180084 | 4 | 8105kr |
| 18 | | 5180085 | 4 | 8152kr |
| 20 | | 5180086 | 4 | 8136kr |
| 25 | | 5180087 | 4 | 8742kr |



You can find more detailed information in our online-shop <https://www.bilz.de/produktfinder-anmeldung> or in our ThermoGrip® shrink chuck catalogue

| Designation | Clamping-Ø | Ident No. | Img |
|----------------------------|----------------|-----------|-----|
| ISGS3201-1-UC ¹ | 6,0 – 12 mm | 5195533 | 1 |
| ISGS3201-2-UC ² | 12,1 – 22,0 mm | 5195534 | 2 |

¹ A-dimension: 70 mm to 75 mm possible (HSK63).
From an A-dimension of 75 mm, the standard 1 disc can be used.
² A-dimension: 75 mm to 82.5 mm possible (HSK63).
From an A-dimension of 82.5 mm, the standard 2-disc can be used.